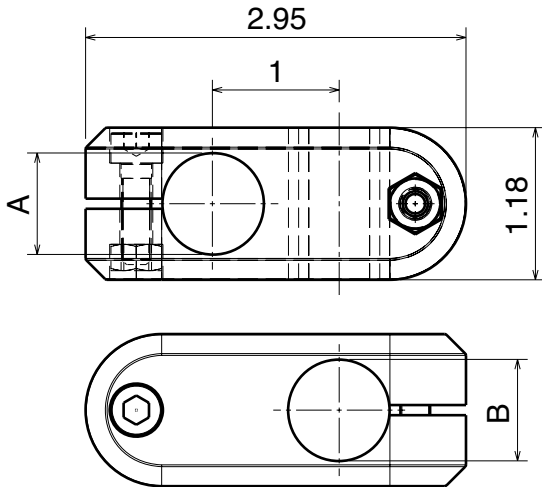


# Cross Clamp



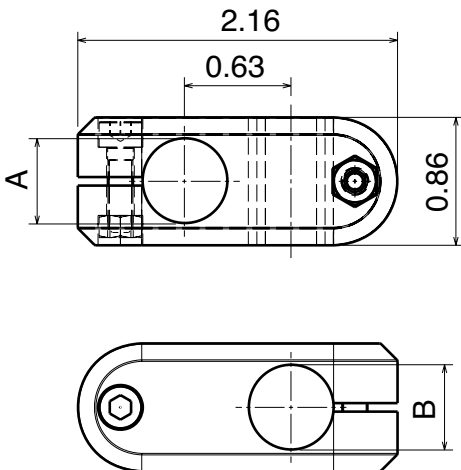
Cross clamp

| Part # | A   | B   |
|--------|-----|-----|
| 38100Y | 1/2 | 1/2 |
| 38102  | 5/8 | 5/8 |
| 38104Y | 3/4 | 3/4 |



Cross clamp

| Part # | A   | B   |
|--------|-----|-----|
| 38202Y | 1/2 | 1/2 |



## Material:

Clamps: Polyamide  
Screws and nuts: Stainless steel



Cross Block

| Part # | 1/2 | 1/2 |
|--------|-----|-----|
| 39101  | 5/8 | 5/8 |
| 39102  |     |     |

