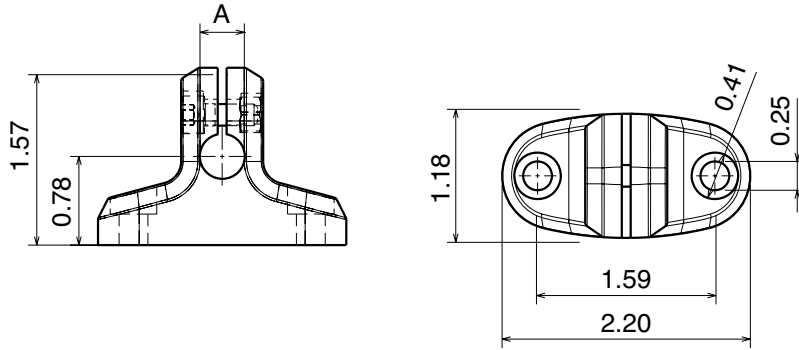


Material:

Clamps: Polyamide
Screws and nuts: Stainless steel

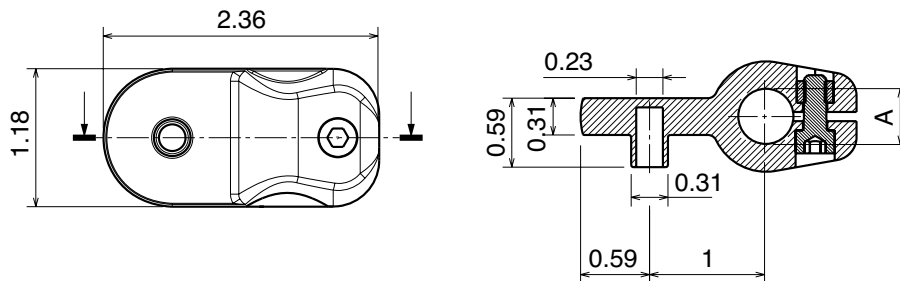
T-clamp

Part #	A
37802Y	1/2



Clamp for reflector

Part #	A
37902Y	1/2



Clamp for photocells or sensors

Part #	A
38002Y	1/2

