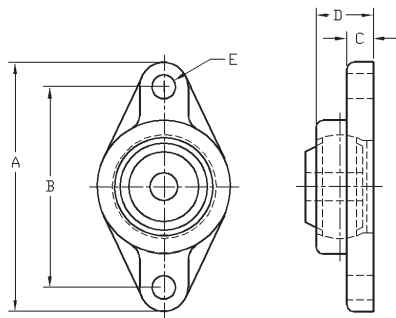


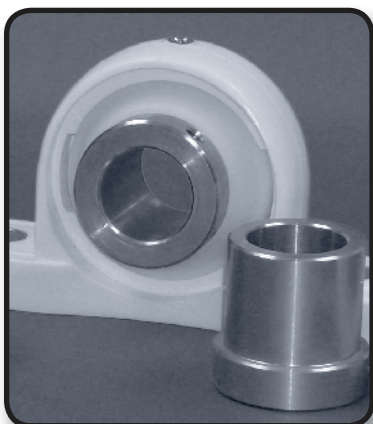
Pillow Blocks

Size	Shaft (inches)	Shaft (mm)	A	B	C	D	E1	E2	F	G
P204-12	3/4		1-5/16	5	3-3/4	1-1/2	1/2	7/16	1/2	2-17/32
P204		20	33.3	127	95	38	14	11	13	64
P205-14	7/8		1-7/16	5-1/2	4-1/8	1-1/2	1/2	7/16	1/2	2-25/32
P205		25	36.5	140	105	38	14	11	13	71
P205-16	1									
P206-17	1-1/16		1-11/16	6-1/2	4-3/4	1-7/8	23/32	1/2	19/32	3-5/16
P206		30	42.9	165	121	48	18	14	12	84
P206-19	1-3/16									
P206-20	1-1/4									
P207-20	1-1/4		1-7/8	6-9/16	5	1-7/8	23/32	1/2	5/8	3-21/32
P207-21	1-5/16									
P207-22	1-3/8									
P207		35	47.6	167	127	48	18	14	16	93
P207-23	1-7/16									
P208-24	1-1/2		1-15/16	7-1/4	5-13/32	2-1/8	23/32	1/2	21/32	3-27/32
P208-25	1-9/16									
P208		40	49.2	184	137	54	18	14	17	98

Two-Bolt Flange



Size	Shaft (inches)	Shaft (mm)	A	B	C	D	E
FL204-12	3/4		4-7/16	3-35/64	7/16	1	7/16
FL204		20	113	90	11	25.5	11
FL205-14	7/8		5-1/8	3-57/64	1/2	1-1/16	7/16
FL205-15	15/16						
FL205		25	130	99	13	27	11
FL205-16	1						
FL206-17	1-1/16		5-13/16	4-39/64	1/2	1-7/32	7/16
FL206-18	1-1/8						
FL206		30	148	117	12	31	11
FL206-19	1-3/16						
FL206-20	1-1/4						
FL207-20	1-1/4		6-11/32	5-1/8	9/16	1-11/32	33/64
FL207-21	1-5/16						
FL207-22	1-3/8						
FL207		35	161	130	14	34	13
FL207-23	1-7/16						
FL208-24	1-1/2		6-7/8	5-43/64	9/16	1-13/32	1/2
FL208-25	1-9/16						
FL208		40	175	144	14	36	14



Configurations Available

- Plastic bearing inserts
- Ball bearing inserts
- Stainless steel sleeves available for shaft protection or positive locking